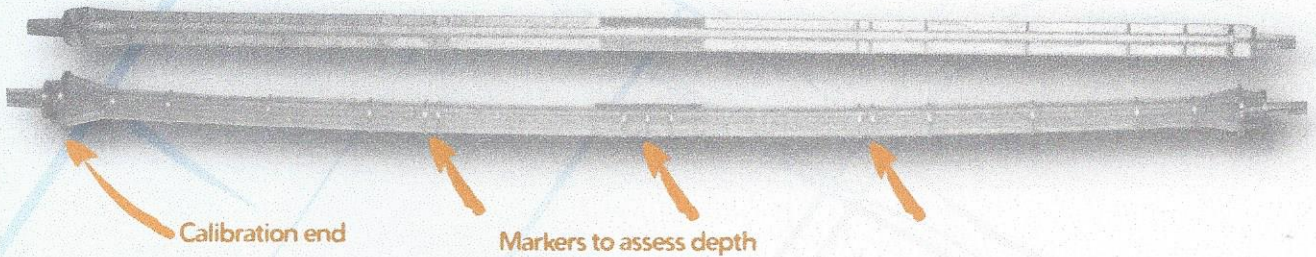


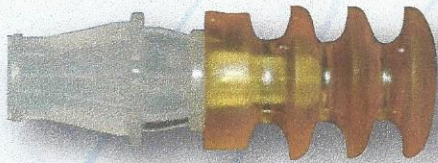
Eliminating the risks of cross contamination

A single use 2 in 1 device: Plug inserter



Calibration end

Markers to assess depth



Restrictor holder

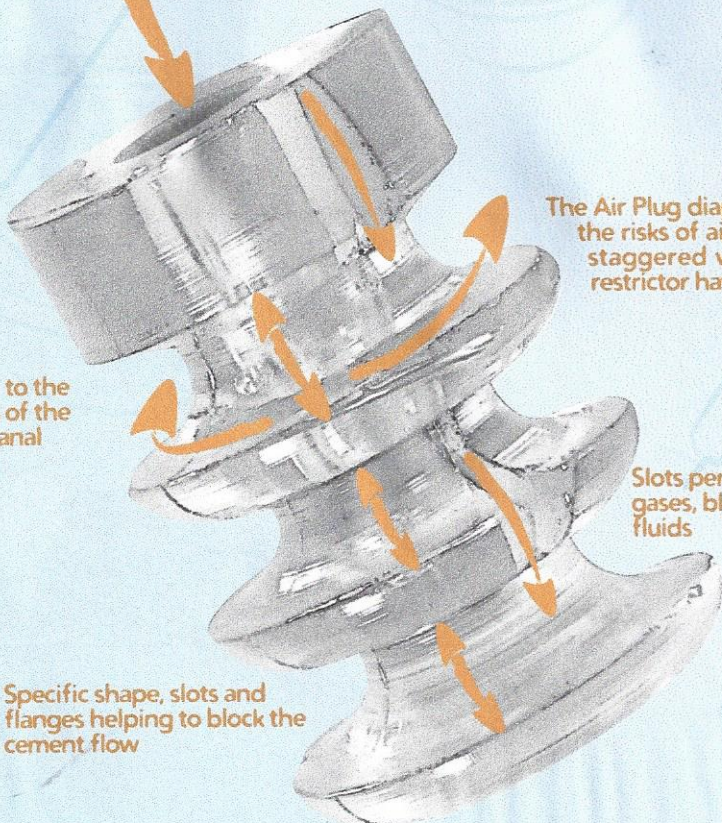
Advantages

- 2 in 1 : calibration + insertion of the Plug.
- Double-sided: Only 2 parts meeting the needs of the whole range (packaged together, so only 1 reference).
- Single use: to reduce the risks of cross contamination.
- Sterile: immediate availability for additional surgeries.
- Simplified reordering management: 1 single reference to order, 1 box containing 5 packs of 2 parts.

Anticipating cardio-respiratory disorders (1, 3, 4 et 5)

Cement restrictor Air Plug

Hole in base to facilitate connection



Adapts itself to the irregularities of the diaphyseal canal

Specific shape, slots and flanges helping to block the cement flow

Slots permeable to gases, blood and fluids

The Air Plug diaphyseal restrictor was specially designed to reduce the risks of air and medullary tissue compression, with its set of staggered vents. The stability and occlusive nature of the restrictor have also been improved. (2)

Advantages

- Limits the flow of acrylic cement when introduced into the diaphyseal canal.
- Maintains pressure balance when the cement is introduced into the femoral shaft.
- Enables the cement to be pressurized
- Bioresorbable material which does not interfere with the removal of the stem during revision surgery.
- Easy to use.
- Reduces the risks of embolism during cemented total hip replacement. (1)